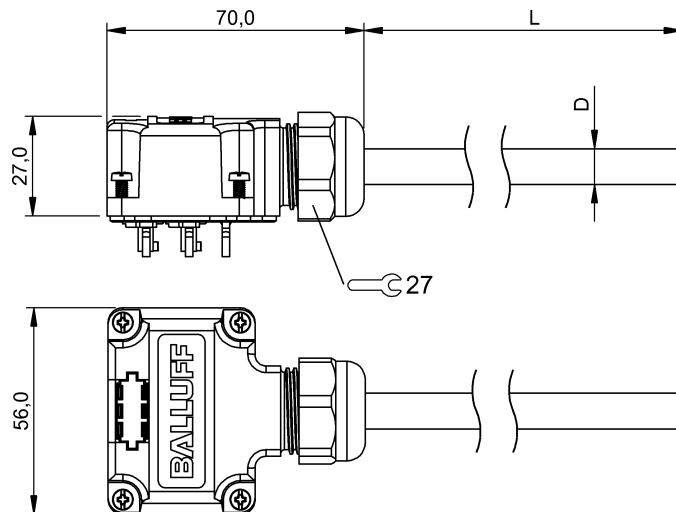


## Junction blocks

**BPI T00G-K-00-KPXB0-100**

**Order Code: BPI007P**

# BALLUFF



### Basic features

Approval/Conformity	CE UKCA WEEE
---------------------	--------------------

### Electrical connection

Bending radius min., fixed cable	7.5 x D
Bending radius min., flexible cable	15 x D
Cable	PUR black, 10 m, drag chain compatible
Cable diameter D	8.30 mm ±0.3 mm
Cable, bending cycles min.	2 mil.
Conductor cross-section	0.34 mm <sup>2</sup> + 1.0 mm <sup>2</sup>
Number of conductors	11

### Electrical data

Output current max.	2 A
Total current max.	8 A

### Remarks

Cable construction acc. to UL-AWM Style 20549/10493  
Flame resistance per IEC 60332-1-2  
Flame resistance per UL 758/1581 FT2  
Halogen-free per DIN VDE 0472 Part 815  
Halogen-free acc. to IEC 60754-1  
Oil resistant per DIN EN 60811-404 (VDE 0473-811-404)  
Enclosure rating per IEC 60529, only in screwed state with the associated mating piece.  
Suitable for use with BPI 4M4A5P-2K-00-TPOG

### Environmental conditions

Cable temperature, fixed routing	-40...80 °C
Cable temperature, flexible routing	-20...80 °C
IP rating	IP67, when threaded in

### Material

Cable jacket, material	PUR
Housing material	PBT, GF

### Mechanical data

Acceleration max., drag chain	10 m/s <sup>2</sup>
Cable jacket, color	black
Cable length L	10.00 m
Cable properties	drag chain compatible
Horizontal travel permitted, drag chain	10 m at 10 m/s <sup>2</sup>
Traverse speed max., drag chain	3 m/s

